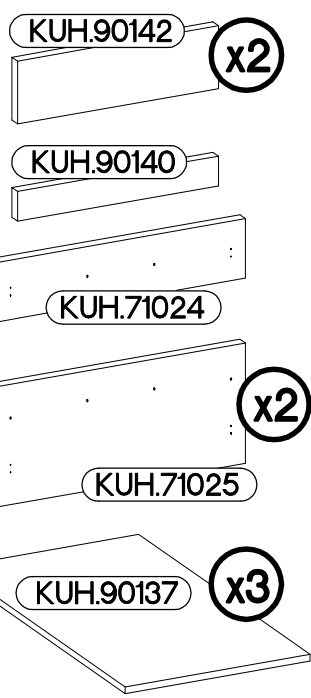
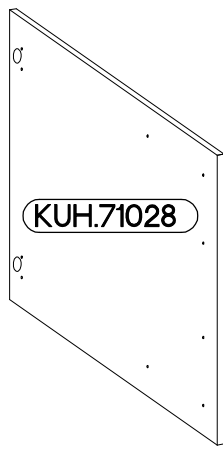
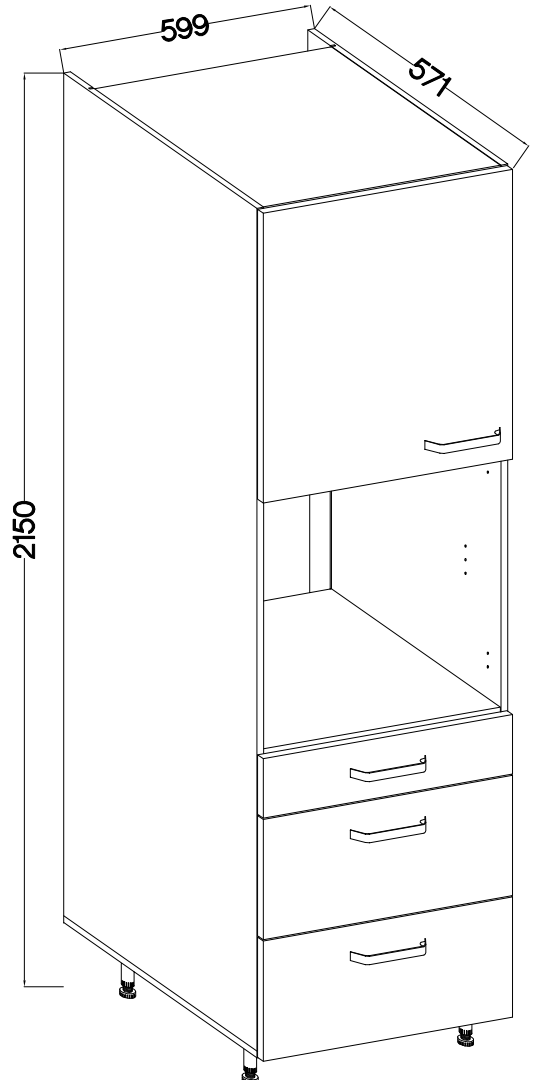
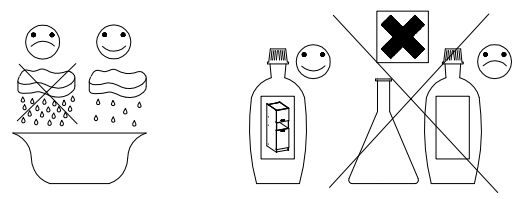
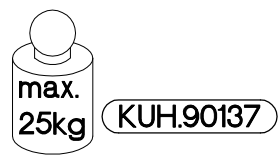


60 DPS-2100 1F 3S

FRONT



Ersatzteil Nummer	Dimension
KUH.71028	682x596x16
KUH.71024	140x596x16
KUH.71025 x2	283x596x16
KUH.90137 x3	442x492x16
KUH.90140	480x70x16
KUH.90142 x2	480x148x16

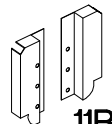
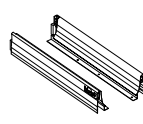
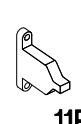
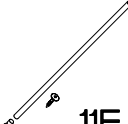



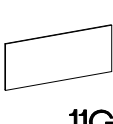


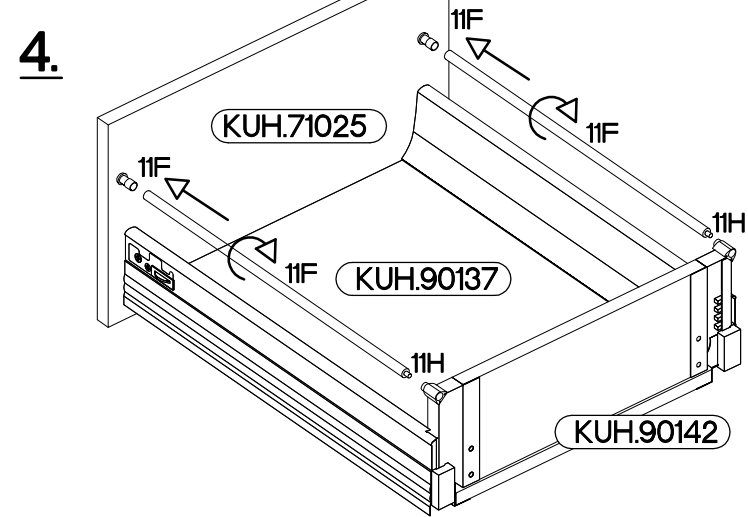
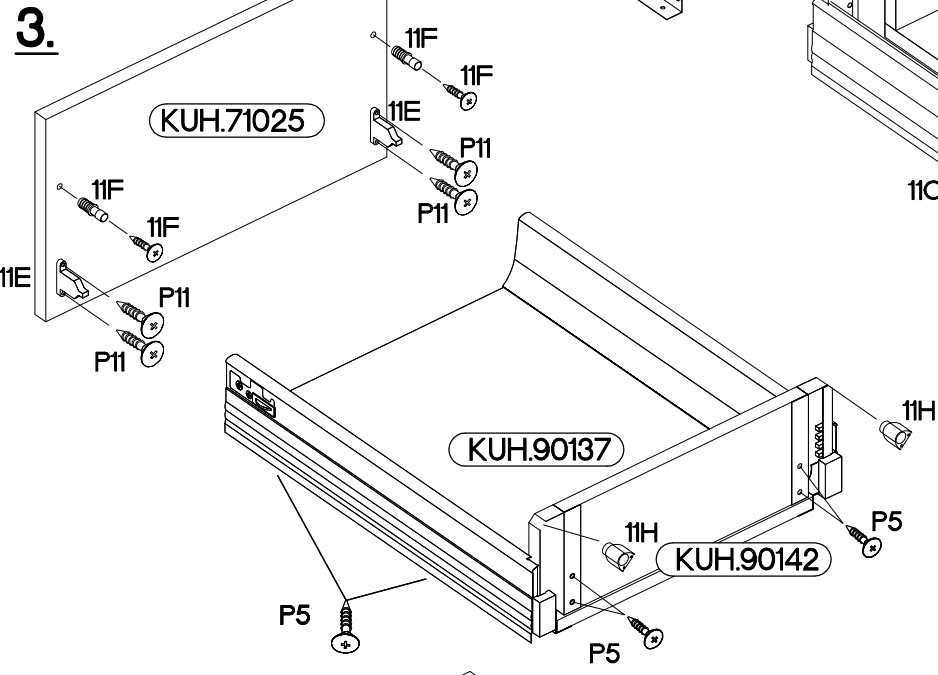
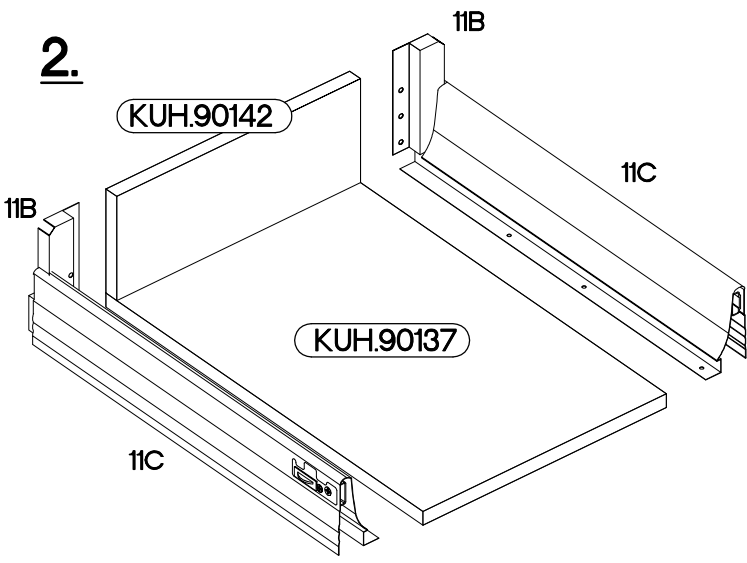
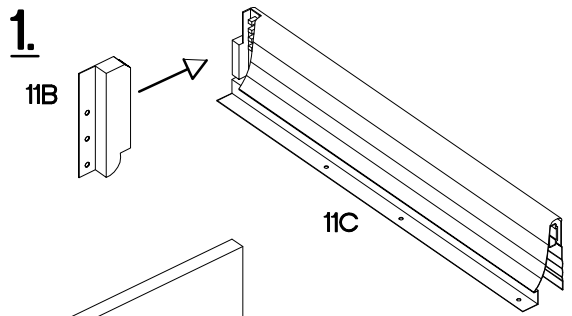
3	3	2
+6.3x13mm	+4.0x16mm	+3.5x13mm
12	12	24
12		

4	8	1	6	4	6	4

ISM-KUH-01853

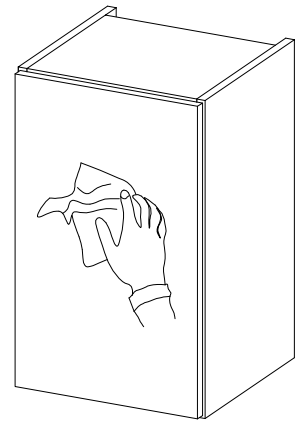
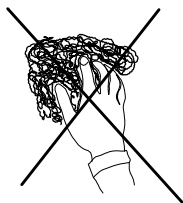
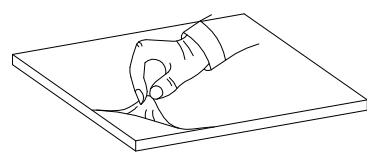
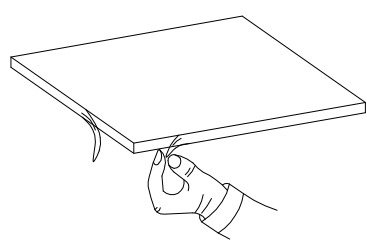
1

							
11B	11C	11E	11F	11H	P11	P5	11G
2	2	4	4	4	8	16	4

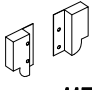
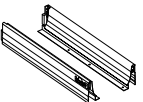
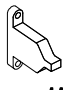


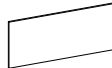


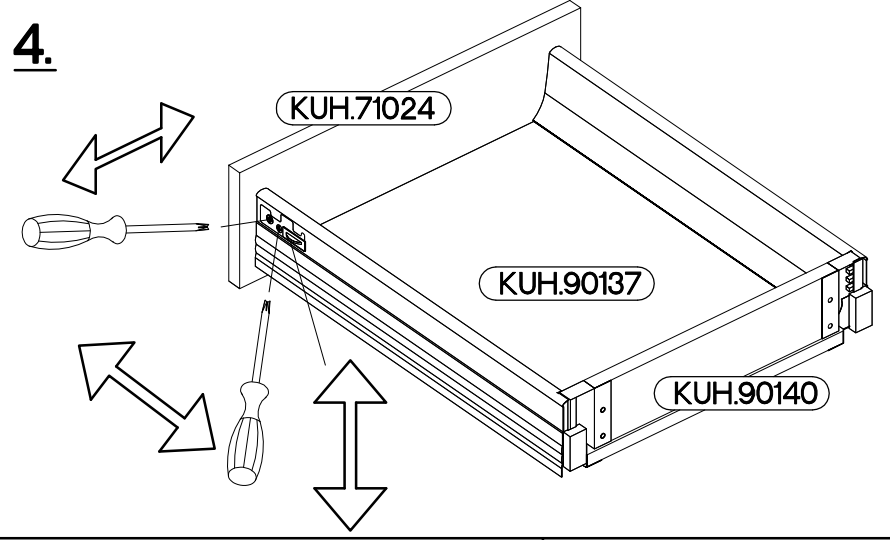
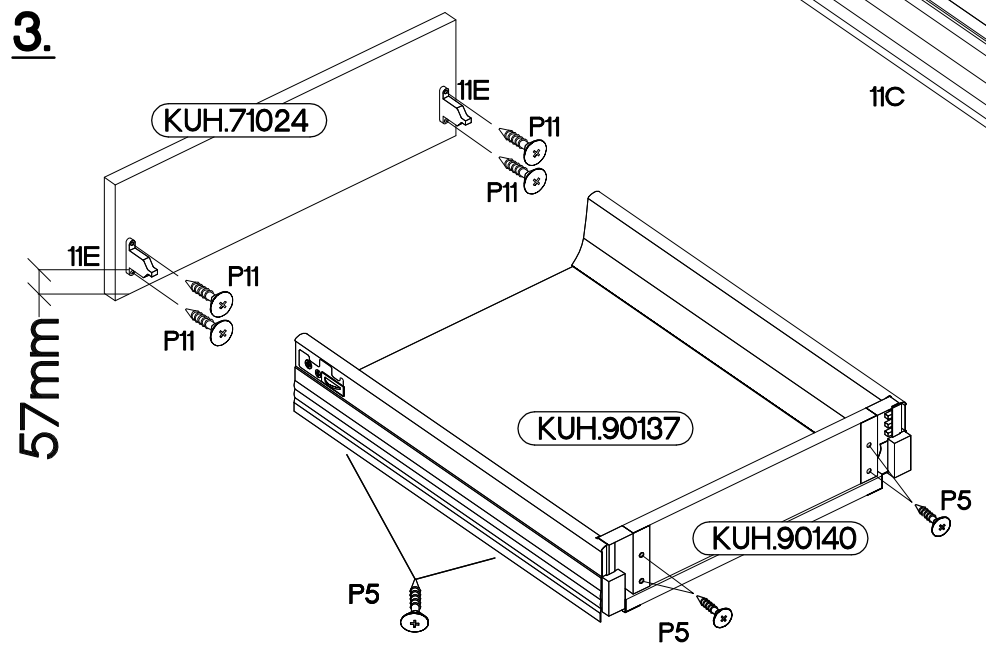
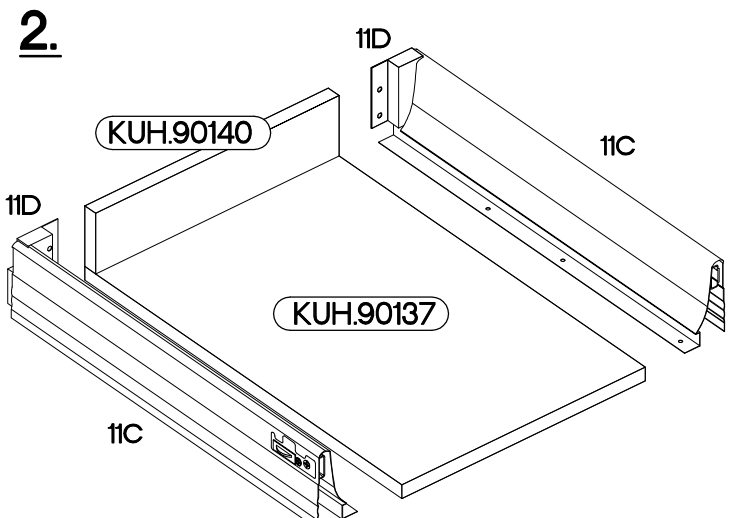
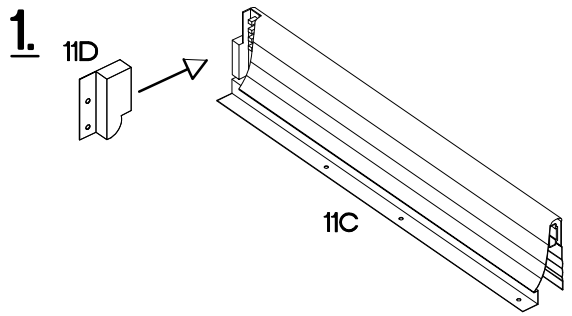
x2

VARIANT HIGH GLOSS

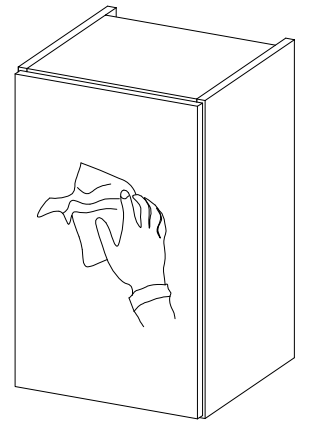
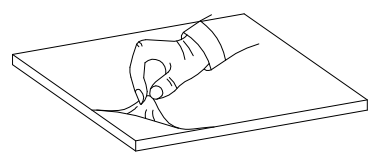
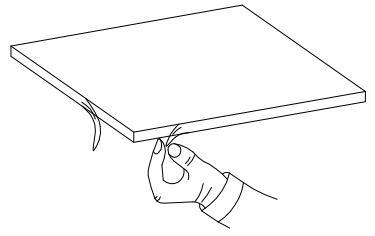


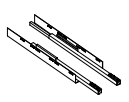


2

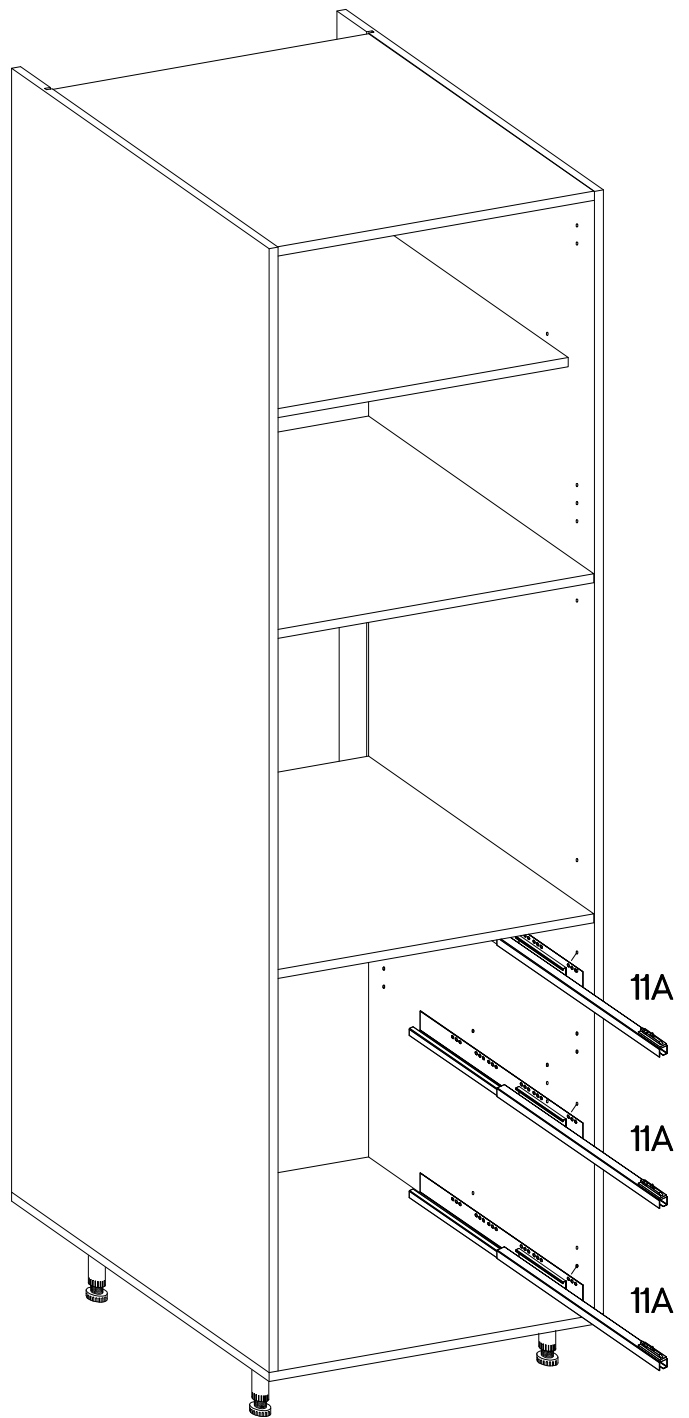
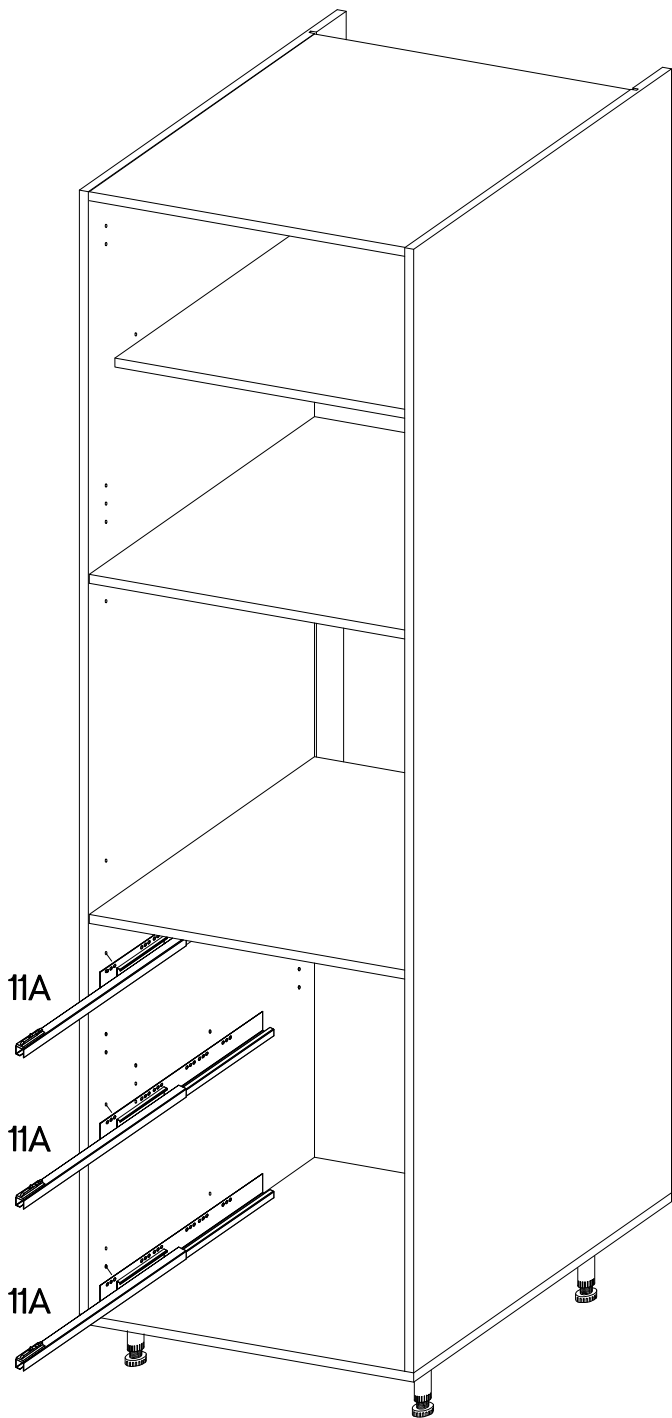
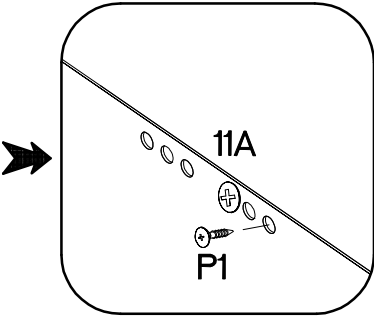
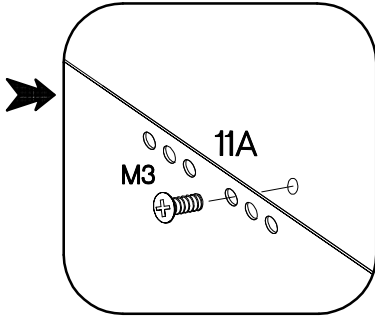
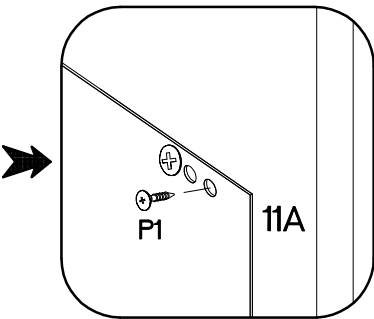
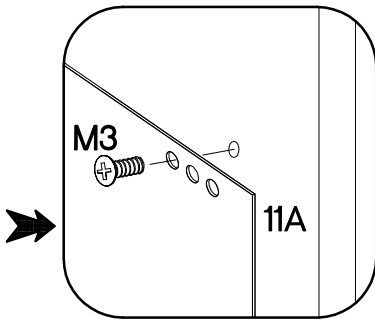
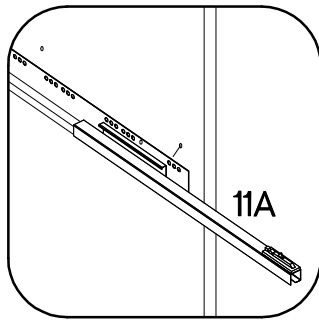
					
11D	11C	11E	P11	P5	11G
1	1	2	4	8	2





VARIANT HIGH GLOSS

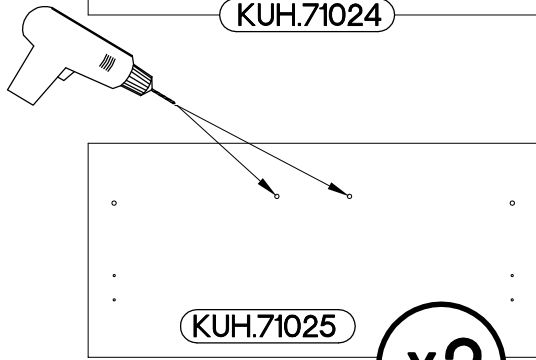
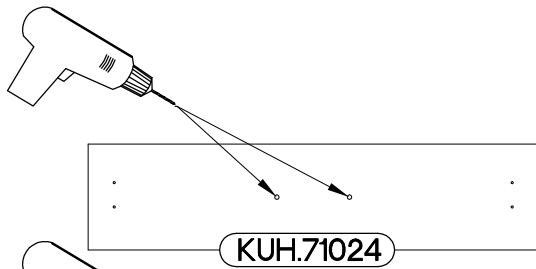


		
11A	M3	P1
3	12	12

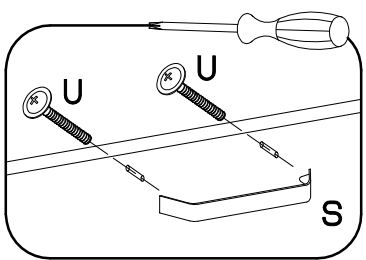
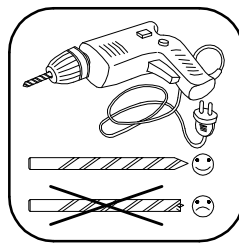
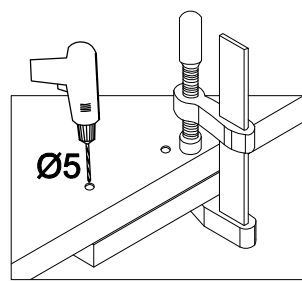
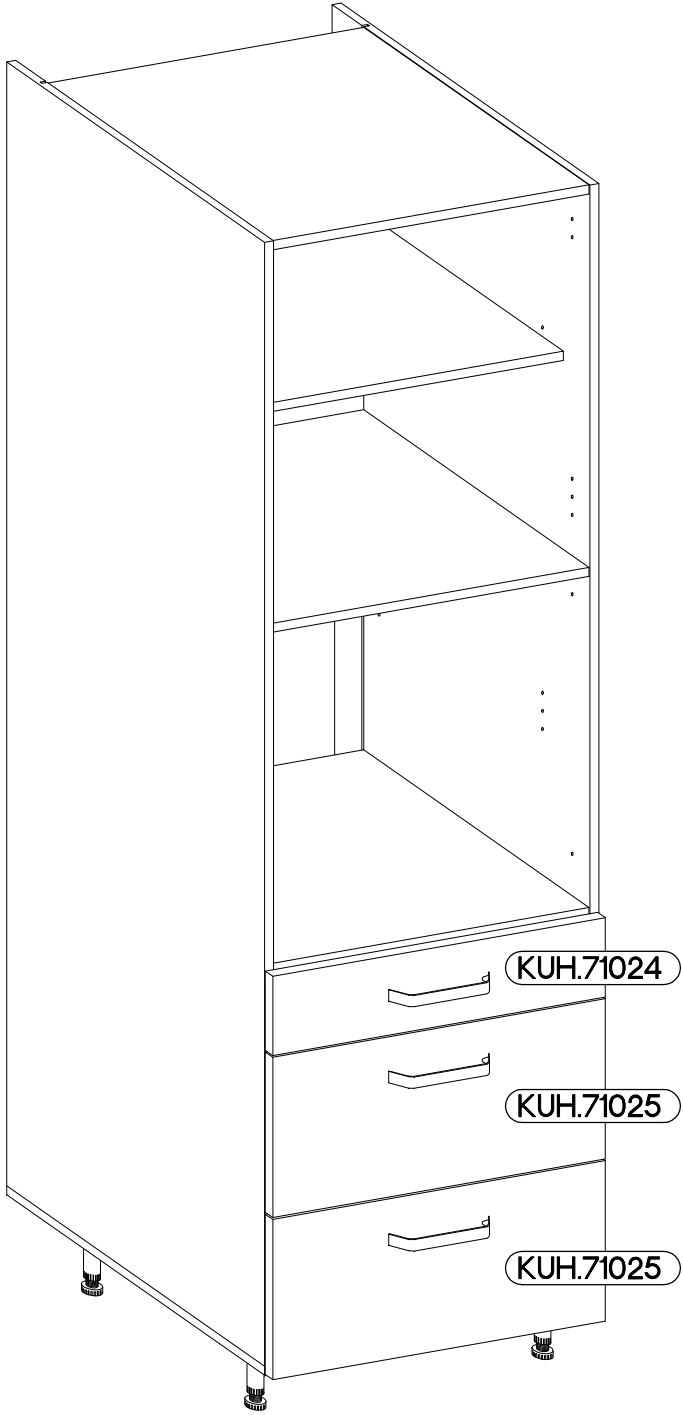


4

L=160mm	M4x22mm
	
S	U
3	6

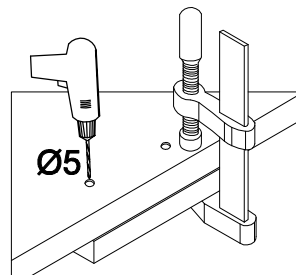
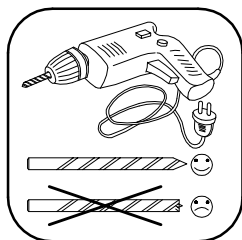
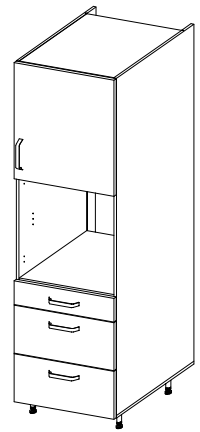
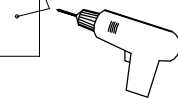
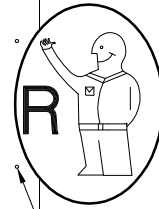
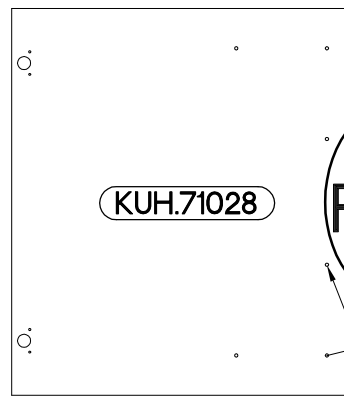
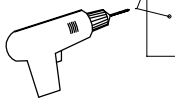
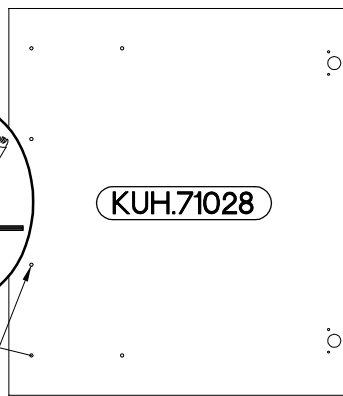
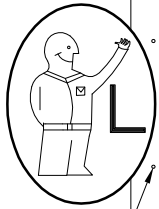
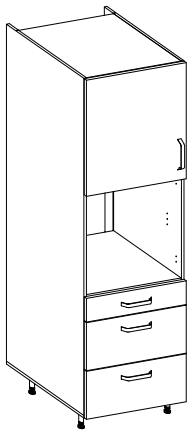
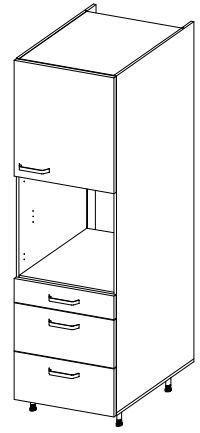
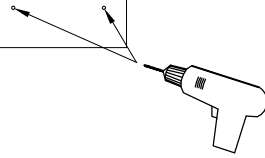
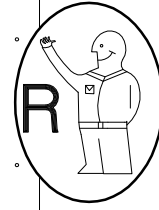
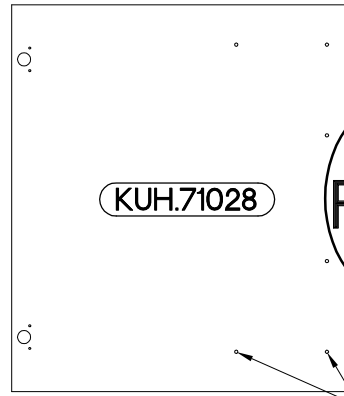
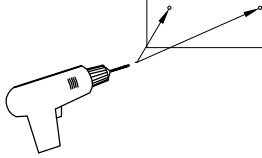
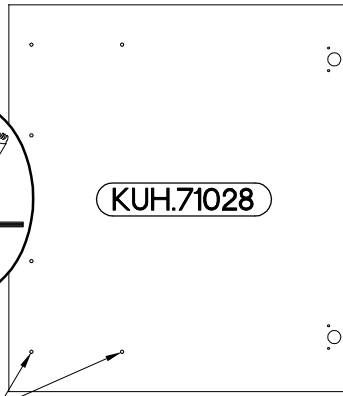
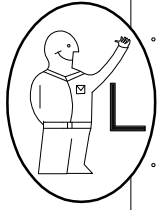
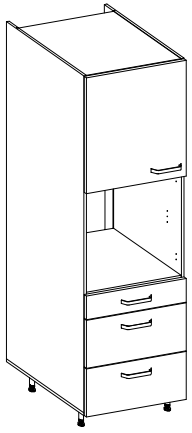


x2



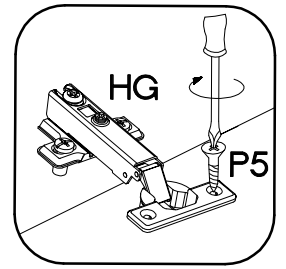
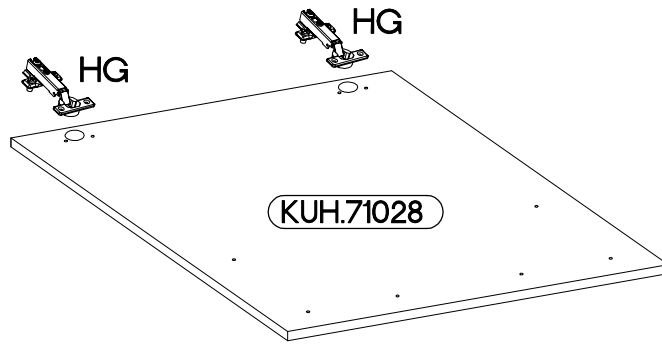
LEFT

RIGHT



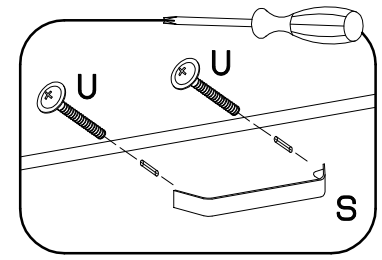
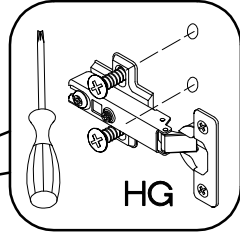
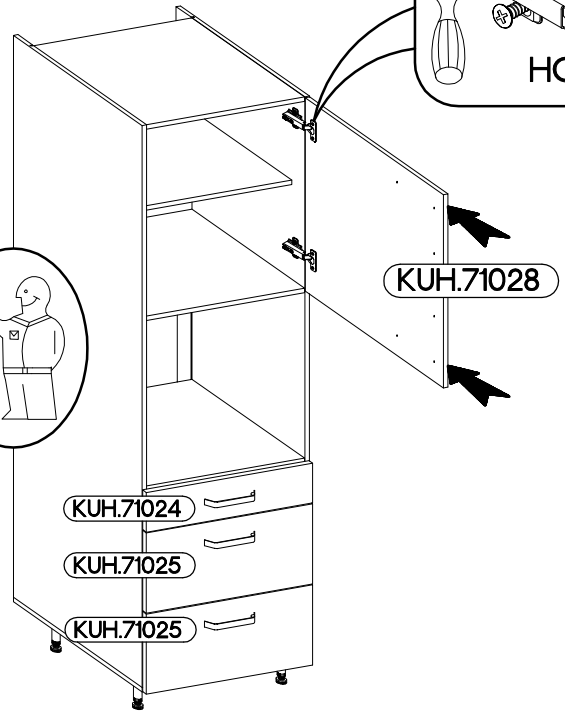
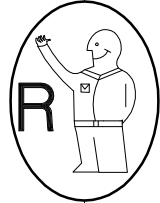
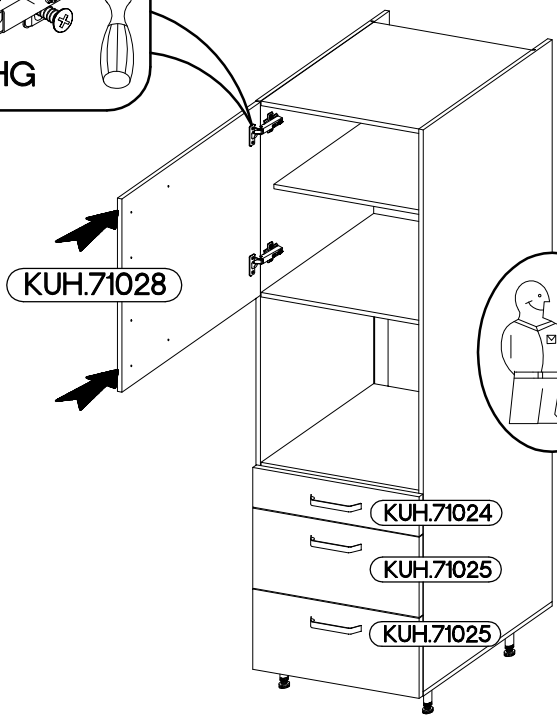
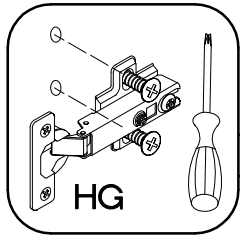
6

+35/0mm [CD] HG 2	+3.5x13mm P5 4
-------------------------	----------------------



7

L=160mm S 1	M4x22mm U 2
-------------------	-------------------



VARIANT HIGH GLOSS

